

IP20 SELV    

## TALEXconverter LCCI 16 W Q010 TOP series

### Product description

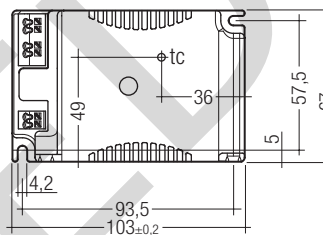
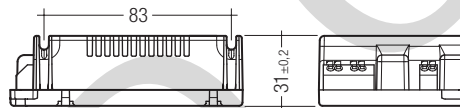
- Built-in LED control gear for LED modules
- Constant current LED control gear for luminaire installation
- LED control gears for individual luminaires
- Output power 16 W
- Adjustable output current via potentiometer or resistor <sup>②</sup>
- Nominal life 50,000 hours (at ta 55 °C with a failure rate ≤ 0.2 % per 1,000 hours)
- 5-year guarantee

### Properties

- Casing: polycarbonate, white
- Compact dimensions
- Type of protection IP20

### Functions

- Overload protection by reduction of performance
- Overtemperature protection



### Technical data

Rated supply voltage, AC	220 – 240 V
Input voltage, AC	198 – 264 V
Mains frequency	50 / 60 Hz
Rated current (at 230 V 50 Hz, full load)	0.15 A
Max. input power	20 W
Typ. λ (at 230 V 50 Hz, full load)	0.55 °C
Typ. efficiency (at 230 V 50 Hz, full load)	> 85 %
Turn on time (at 230 V 50 Hz, full load)	< 100 ms
Turn off time (at 230 V 50 Hz, full load)	< 10 ms
Hold on time <sup>③</sup>	10 ms
Ambient temperature ta	-25 ... +55 °C
Max. casing temperature tc	75 °C
Dimensions LxWxH	103 x 67 x 31 mm

### Ordering data

Type	Article number	Packaging carton	Packaging pallet	Weight per pcs.
LCCI 016/0350 Q010	86459213	10 pc(s).	700 pc(s).	0.08 kg
LCCI 016/0500 Q010	86459214	10 pc(s).	700 pc(s).	0.08 kg
LCCI 016/0700 Q010	86459215	10 pc(s).	700 pc(s).	0.08 kg

### Specific technical data

Type	Output current range <sup>②</sup>	Output current tolerance	Output voltage range	Max. output voltage <sup>③</sup>	Typ. output power
LCCI 016/0350 Q010	70 – 350 mA	± 5 %	3 – 48 V	52 V	16 W
LCCI 016/0500 Q010	100 – 500 mA	± 5 %	3 – 33 V	36 V	16 W
LCCI 016/0700 Q010	140 – 700 mA	± 5 %	3 – 24 V	26 V	16 W

<sup>①</sup> 100 kΩ, (0.25 W) linear.

<sup>②</sup> For details please refer to page 2: "Output current according to resistance" and "Wiring diagram".

<sup>③</sup> In no-load operation. No shutdown in no-load operation.

<sup>④</sup> At power failure.

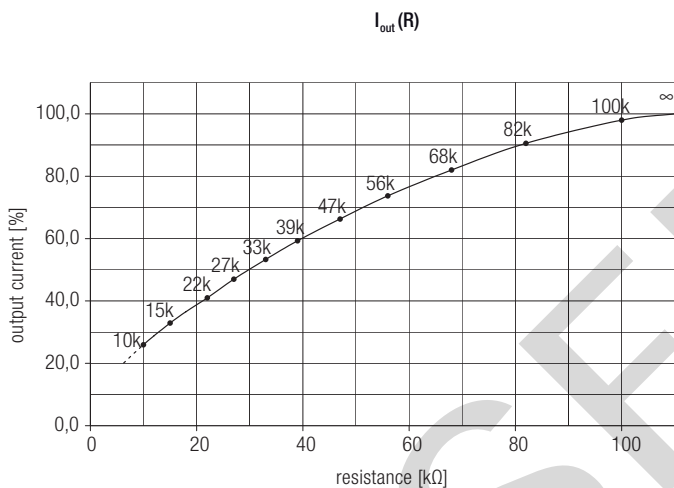
**Standards**

- EN 55015
- EN 61000-3-2
- EN 61000-3-3
- EN 61347-1
- EN 61347-2-13
- EN 61547
- EN 62384

**Maximum loading of automatic circuit breakers**

Automatic circuit breaker type	C10	C13	C16	C20	B10	B13	B16	B20	Inrush current	
Installation Ø	1.5 mm <sup>2</sup>	1.5 mm <sup>2</sup>	1.5 mm <sup>2</sup>	2.5 mm <sup>2</sup>	1.5 mm <sup>2</sup>	1.5 mm <sup>2</sup>	1.5 mm <sup>2</sup>	2.5 mm <sup>2</sup>	I <sub>max</sub>	Pulse
LCCI 016/0350 Q010	30	40	50	60	15	20	25	30	5 A	1 ms
LCCI 016/0500 Q010	30	40	50	60	15	20	25	30	5 A	1 ms
LCCI 016/0700 Q010	30	40	50	60	15	20	25	30	5 A	1 ms

**Output current according to resistance**

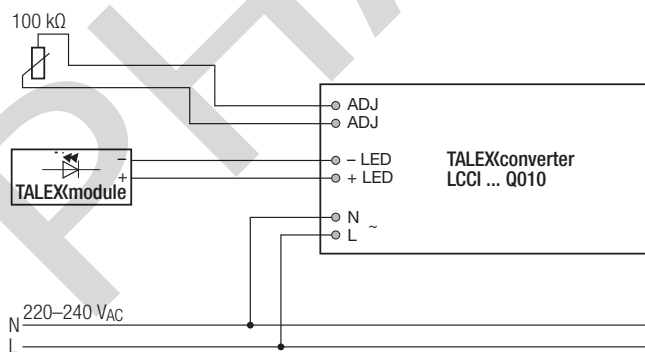


Used resistor range E12

Component tolerances are not considered in the diagram

If no resistor is connected, the maximum output current is flowing.

**Wiring diagram**



The switching of LEDs on secondary side is not permitted.

Each LED control gear must be adjusted by a separate resistor or potentiometer. It is not allowed to adjust more than one LED control gear by one resistor/potentiometer.

**Expected lifetime**

Type	ta = 40 °C	ta = 50 °C	ta = 55 °C	
LCCI 016/0350 Q010	tc	60 °C	70 °C	75 °C
	Lifetime	> 100,000 h	60,000 h	50,000 h
LCCI 016/0500 Q010	tc	60 °C	70 °C	75 °C
	Lifetime	> 100,000 h	60,000 h	50,000 h
LCCI 016/0700 Q010	tc	60 °C	70 °C	75 °C
	Lifetime	> 100,000 h	60,000 h	50,000 h

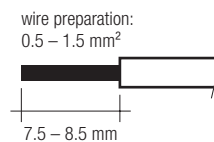
**Wiring type and cross section**

The wiring can be in stranded wires with ferrules or solid. For perfect function of the cage clamp terminals the strip length should be 7.5–8.5 mm for the input terminal.

Please use only one wire per terminal.

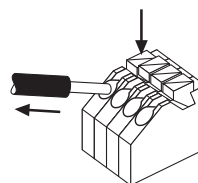
The LED wiring should be kept as short as possible to ensure good EMC behaviour.

**Input / Output terminal**



**Release of the wiring**

Press down the "push button" and remove the cable from front.



**Device mounting**

Max. torque for mounting: 0.5 Nm/M4

#### Overload protection

If the output voltage range is exceeded the controlgear reduces the LED output current. After elimination of the overload the nominal operation is restored automatically.

#### Overtemperature protection

The controlgear is protected against temporary thermal overheating. If the temperature limit is exceeded the output current is reduced. The temperature protection is activated between 2 °C and 8 °C above  $t_{c \max}$  (see page 1).

#### Short-circuit behaviour

A short-circuit on the secondary side will not damage the controlgear. The output current is adjusted to its maximum value in the event of a short-circuit.

#### No-load operation

The controlgear is not damaged in the no-load operation. The max. output voltage (see page 1) can be obtained during no-load operation.

#### Harmonic distortion in the mains supply

EMC standard EN 61000-3-2 for lighting equipment with active input power  $\leq 25$  W.

All LED control gears comply with the standard EN 61000-3-2 to operate lighting equipment with an active input power  $\leq 25$  W where distortion limits for current drawn from the supply are 86 % for 3<sup>rd</sup> harmonic and 61 % for 5<sup>th</sup> harmonic only.

#### Storage conditions

Humidity: 5 % up to max. 85 %,  
not condensed  
(max. 56 days/year at 85 %)

Storage temperature: -40 °C up to max. +80 °C

The devices have to be within the specified temperature range ( $t_a$ ) before they can be operated.

#### Glow wire test according to IEC 60695-2-11

650 °C and 850 °C passed.